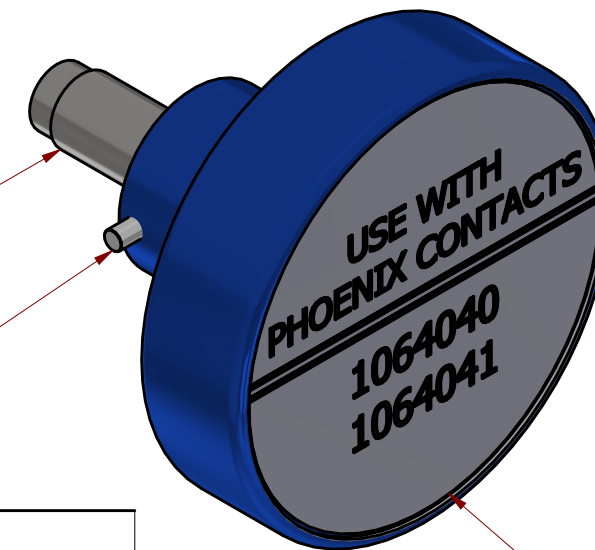
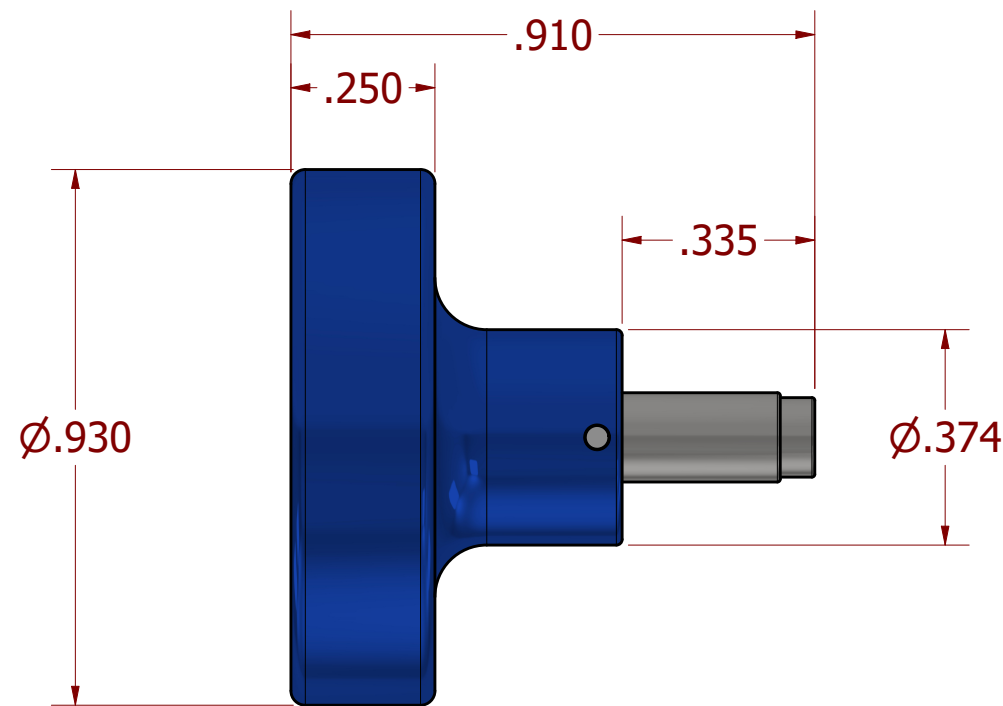


REVISIONS

REV	ECO NO.	DESCRIPTION	BY	DATE	APP'D BY	DATE
1	28553	ORIGINAL RELEASE	MWL	8/1/2024	K. KOONS	8/1/2024



LOCATOR	
HOLE DIMENSIONS	ADDITIONAL FEATURES
Ø.055 ▽.523	└┘ Ø.090 ▽.423

LOCATOR
BAYONET(2)

DATA PLATE

TOOL SETTING INFO			
CONTACT	CABLE	DMC TOOL	SELECTOR SETTING
CC1,0-TS-0,34M AU - 1064040 CC1,0-TS-0,34F AU - 1064041	2PK319 - FLAMEX 1x4x0.25 ETHERNET 2PM577 - FLAMEX 4x2x0.25 ETH CAT6A	AFM8	3

DRN. MATT L.	DATE 8/1/2024	DANIELS MANUFACTURING CORP. ORLANDO, FLORIDA CAGE 11851
CHK'D K. KOONS	DATE 8/1/2024	
APP'D J.C.	DATE 8/1/2024	

**UNCONTROLLED DOCUMENT
WILL NOT BE UPDATED**

DIMENSIONS IN INCHES - UNLESS OTHERWISE SPECIFIED

RESTRICTED & CONFIDENTIAL

CONFIDENTIAL PROPERTY OF DANIELS MANUFACTURING CORP. NOT TO BE DISCLOSED TO OTHERS. REPRODUCTION OR USED FOR ANY OTHER PURPOSE EXCEPT AS AUTHORIZED IN WRITING BY DANIELS MANUFACTURING. MUST BE RETURNED TO DANIELS MANUFACTURING CORP. ON COMPLETION OF ORDER OR PURPOSES FOR WHICH LENT.

NOTE: THIS DRAWING IS AN OUTLINE DRAWING OF THE RESPECTIVE DMC PART NUMBER INDICATED.		TITLE POSITIONER ENVELOPE DRAWING	
WHERE USED: AFM8		SIZE B	SCALE N.T.S.
CAD NO. K2192_ENV	SHEET 1 OF 1	PART NO. K2192	REV. 1