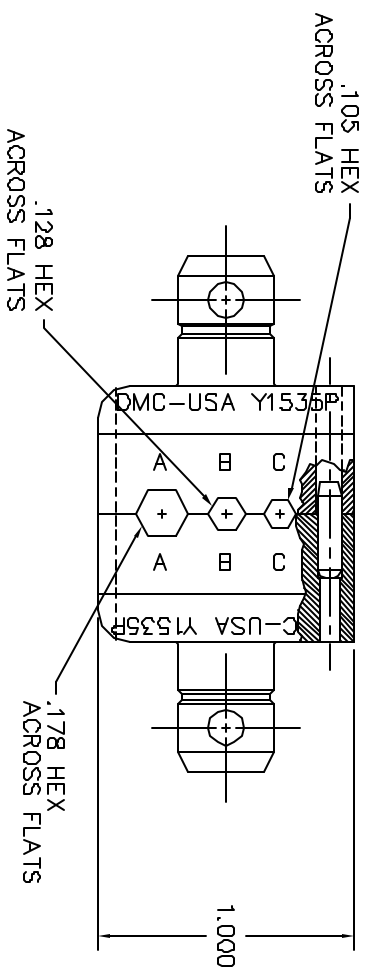
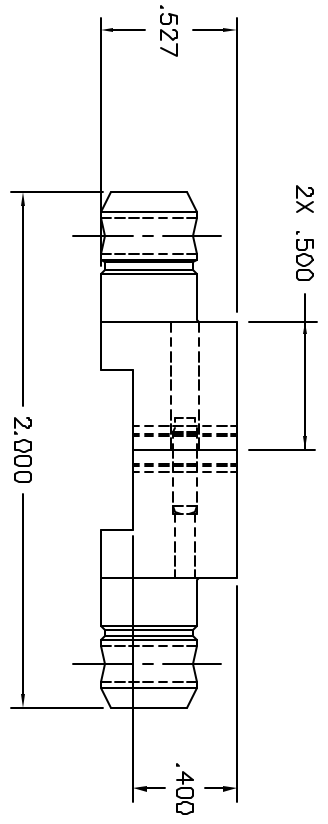


REVISIONS			
REV. NUMBER	DESCRIPTION	BY DATE	APP'D DATE
1	ORIGINAL RELEASE	JMU 8/21/00	RRR 8/25/00



**UNCONTROLLED DOCUMENT
WILL NOT BE UPDATED**

RESTRICTED & CONFIDENTIAL
 CONFIDENTIAL PROPERTY OF DANIEL'S MANUFACTURING CORP. NOT TO BE DISCLOSED TO OTHERS, REPRODUCED OR USED FOR ANY OTHER PURPOSES EXCEPT AS AUTHORIZED IN WRITING BY DANIEL'S MANUFACTURING CORP. THIS DOCUMENT AND ITS CONTENTS MUST BE RETURNED TO DANIEL'S MANUFACTURING CORP. ON COMPLETION OF ORDER OR OTHER PURPOSE FOR WHICH LENT.

MATERIAL		HEAT TREAT		FINISH	
ITEM	PART NO.	QTY.	DESCRIPTION/REMARKS	DATE	BY
DRN. I. JOYCE				8/21/00	JMU
CHKD. RRR				8/21/00	RRR
APPRD.					
APPRD.					
WHERE USED:			TITLE		
SIZE	SCALE	DWG P/N	SHEET	OF	
B	2X	Y1535P-ENV	1	1	
POSTING		P/N	REV.		
		Y1535P-ENV	1		

DO NOT SCALE DRAWING