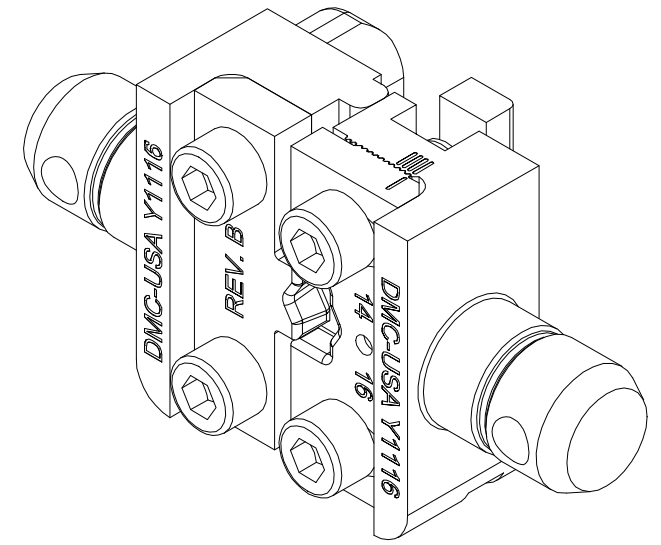
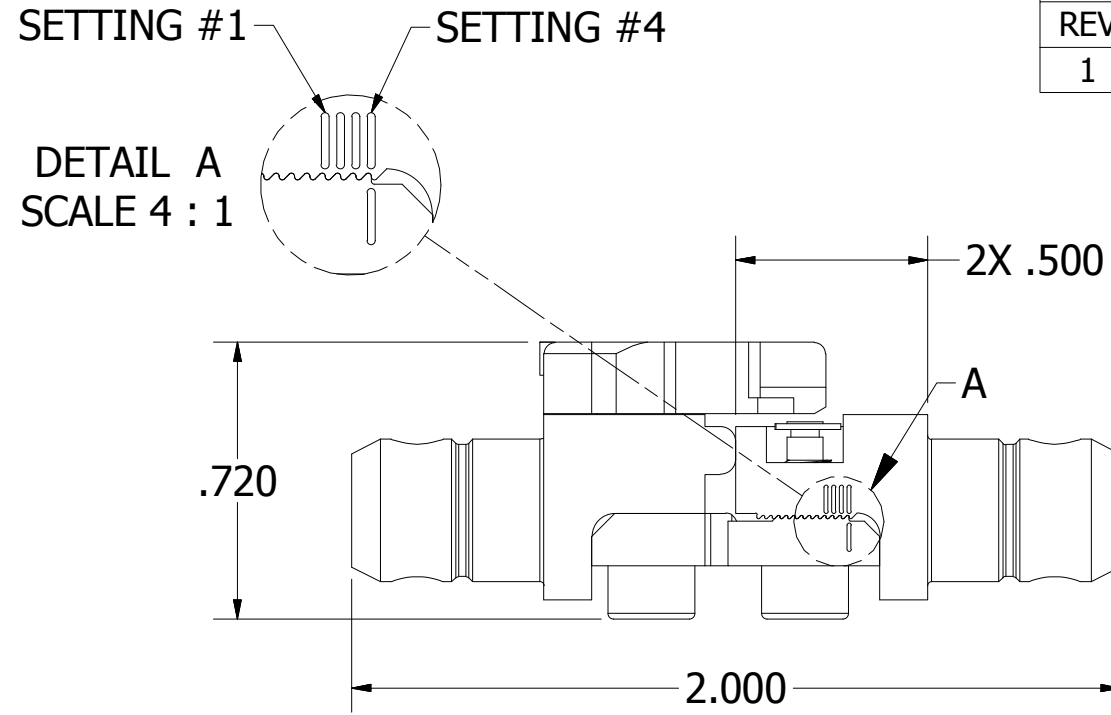


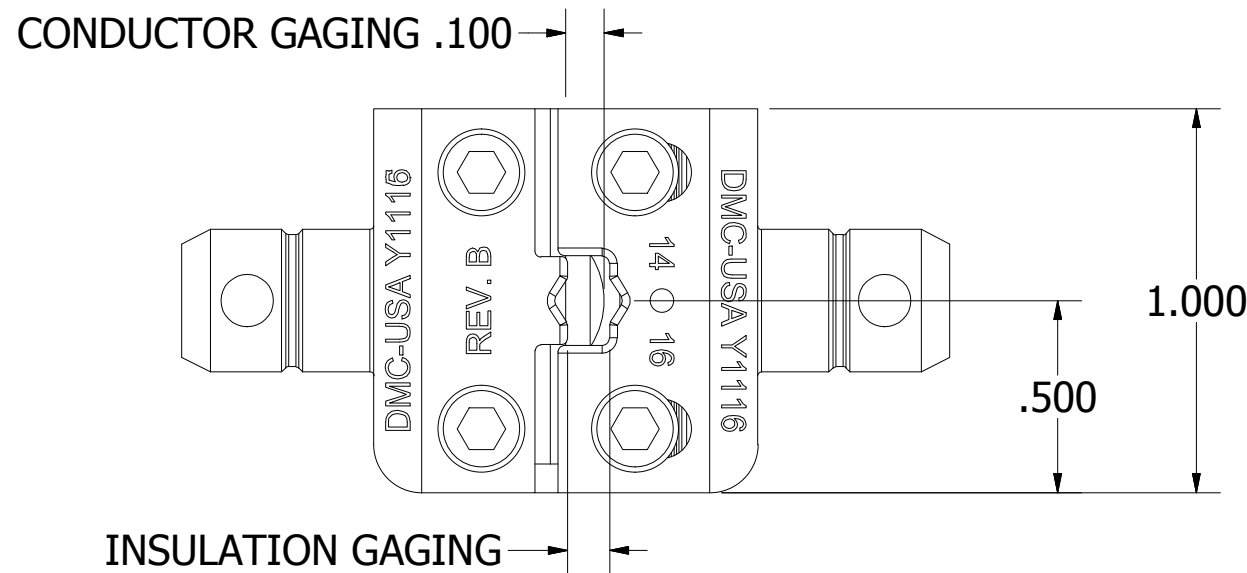
USERS MUST ASSURE THEY ARE USING THE CORRECT REVISION.

REVISIONS

REV	ECO NO.	DESCRIPTION	BY	DATE	APP'D BY	DATE
1		ORIGINAL RELEASE	K. KOONS	9/1/2017		



ISOMETRIC VIEW  
REF ONLY



- ON SETTING #1 .050± .010
- ON SETTING #2 .070± .010
- ON SETTING #3 .090± .010
- ON SETTING #4 .110± .010

**UNCONTROLLED DOCUMENT  
WILL NOT BE UPDATED**


**DIMENSIONS IN INCHES - UNLESS OTHERWISE SPECIFIED**

NOTES:

**RESTRICTED & CONFIDENTIAL**  
 CONFIDENTIAL PROPERTY OF DANIELS MANUFACTURING CORP. NOT TO BE DISCLOSED TO OTHERS. REPRODUCTION OR USED FOR ANY OTHER PURPOSE EXCEPT AS AUTHORIZED IN WRITING BY DANIELS MANUFACTURING. MUST BE RETURNED TO DANIELS MANUFACTURING CORP. ON COMPLETION OF ORDER OR PURPOSES FOR WHICH LENT.

CREATED FROM AN INVENTOR MODEL.  
 CHANGES MUST BE REFLECTED IN THE 3D PART

DO NOT SCALE DRAWING

MATERIAL	ITEM	PART NO.	QTY.	DESCRIPTION / REMARKS																
NA	DRN. KIRK C KOONS CHK'D. TLM	DATE 2/25/2014 DATE 12/18/2015		 DANIELS MANUFACTURING CORP. ORLANDO, FLORIDA CAGE 11851																
HEAT TREAT	NA	NOTE: THIS DRAWING IS AN OUTLINE DRAWING OF THE RESPECTIVE DMC PART NUMBER INDICATED. ACTUAL DMC PART NUMBER IS CAD PART NUMBER WITHOUT THE "-ENV" SUFFIX		TITLE: DIE SET, 14-16 AWG, BLUE INSULATED ENVELOPE DRAWING  WHERE USED:																
FINISH	NA			<table border="1"> <tr> <td>SIZE</td> <td>SCALE</td> <td>CAD P/N</td> <td>SHEET</td> </tr> <tr> <td>B</td> <td>2 : 1</td> <td>Y1116-ENV</td> <td>1 OF 1</td> </tr> <tr> <td colspan="3">DWG. NO.</td> <td>REV.</td> </tr> <tr> <td colspan="3">Y1116</td> <td>1</td> </tr> </table>	SIZE	SCALE	CAD P/N	SHEET	B	2 : 1	Y1116-ENV	1 OF 1	DWG. NO.			REV.	Y1116			1
SIZE	SCALE	CAD P/N	SHEET																	
B	2 : 1	Y1116-ENV	1 OF 1																	
DWG. NO.			REV.																	
Y1116			1																	