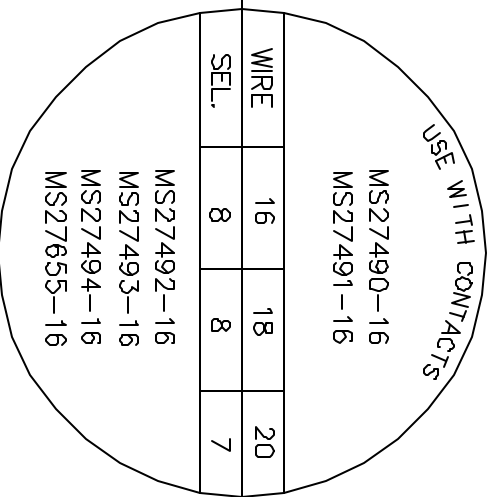
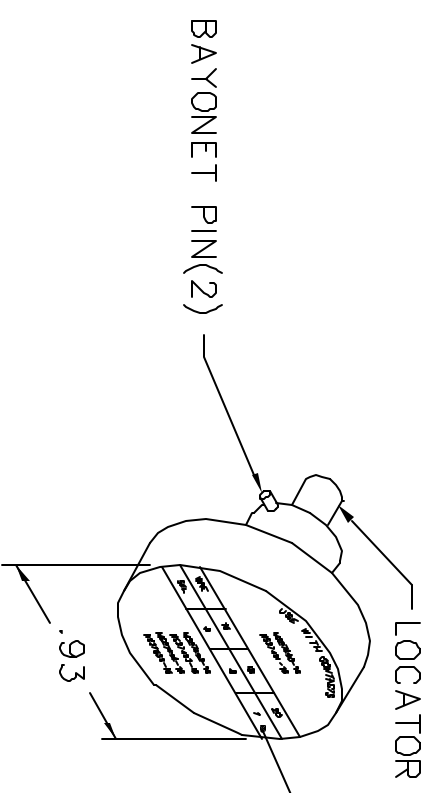
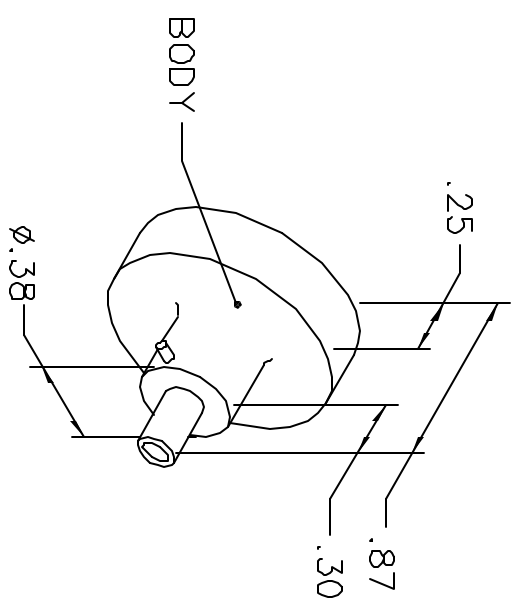


REVISIONS				
REV. SYM.	E.C.O. NUMBER	DESCRIPTION	BY DATE	APP'D DATE
1		ORIGINAL RELEASE	DUNG CAO 8-18-95	DD 8-18-95

**UNCONTROLLED DOCUMENT
WILL NOT BE UPDATED**



NOTE: FOR USE WITH DANIELS MH860 CRIMP TOOL.

LOCATOR	
HOLE DIMENSIONS	ADDITIONAL FEATURES
$\phi .116$ $\nabla .52$ MIN.	$\perp \phi .140$ $\nabla .070$

RESTRICTED & CONFIDENTIAL

CONFIDENTIAL PROPERTY OF DANIELS MANUFACTURING CORP. NOT TO BE DISCLOSED TO OTHERS, REPRODUCED OR USED FOR ANY OTHER PURPOSE, EXCEPT AS AUTHORIZED IN WRITING BY DANIELS MANUFACTURING. MUST BE RETURNED TO DANIELS MANUFACTURING CORP. ON COMPLETION OF ORDER OR OTHER PURPOSE FOR WHICH LENT.

DO NOT SCALE DRAWING

DRN. DUNG CAO	DATE 8-18-95
CHKD. DD	DATE 8-18-95
APP'D.	DATE
APP'D.	DATE

DANIELS MANUFACTURING CORP. ORLANDO, FLORIDA CAGE 11851	
TITLE ENVELOPE DRAWING	
POSITIONER (M22520/7-04)	
WHERE USED: MH860	
SIZE SCALE	CAD P/N
A NTS	86-3-ENV
POSTING	P/N
	86-3-ENV
SHEET 1 OF 1	REV. 1